

TRANSTECNO[®]
the modular gearmotor

CERTIFIED
IEC/EN 60529

IP66



**Outdoor
applications**

SM AC asynchronous electric motors



TEFC

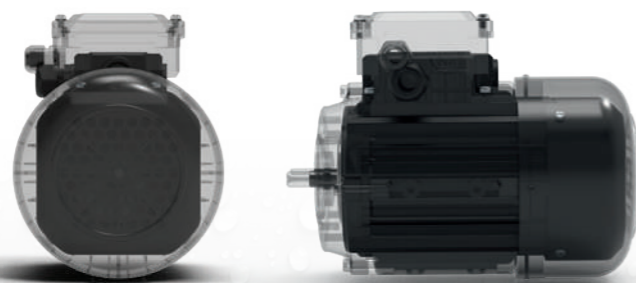


TENV

Compact and basic **terminal cover** with **gaskets, o-rings** and **cable glands**.

Endshields designed for excellent protection through **Radial seal rings, O-rings** and **closed mounting holes**.

REDUCED DIMENSIONS



ELECTRICAL FEATURES

- Motor Power: 0,04 - 2,2 kW
- 4 poles (2 and 6 poles on request)
- Three-phase 230/400V 50Hz - 460V 60Hz
- Single-phase 230V 50Hz
- Inverter use
- PTO bimetal thermal protector
- Insulation class F

MECHANICAL FEATURES

- Available sizes: 50 ~ 90
- Extruded aluminium alloy (EN AW-6060 T5) casing with black anodized surface
- IP66 according to **IEC/EN 60529**
- B14 flange
- TENV and TEFC versions
- Brakes, encoders and servoventilation available on request

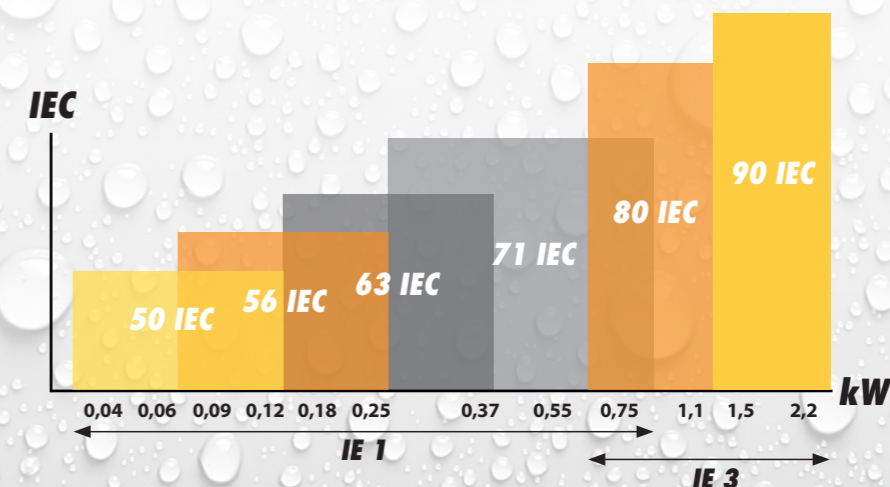
Available in stock

SMT: AC Three phase electric motors

Type	P _n [kW]	M _n [Nm]	N _n [min ⁻¹]	I _n (400V) [A]	η %	cosΦ	M _s /M _n	I _s /I _n	M _k /M _n	TEFC Duty	TENV Duty
5014	0,04	0,3	1290	0,25	34	0,68	1,65	1,75	1,7	S1	S3 30%
5024	0,06	0,44	1300	0,35	35,7	0,69	1,55	1,8	1,6		
5034	0,09	0,65	1315	0,54	38	0,64	1,8	2	1,85		
5044	0,12	0,87	1315	0,64	43	0,63	1,8	2	1,8		
5624	0,09	0,64	1345	0,45	46,5	0,62	2,5	2,4	2,7		
5634	0,12	0,89	1300	0,45	52	0,74	1,9	2,4	1,9		
5644	0,18	1,26	1360	0,69	59	0,65	2,5	3	2,6		
5654	0,25	1,8	1330	0,93	59	0,66	2,5	2,8	2,6		
6324	0,18	1,26	1360	0,69	57	0,66	2,5	2,9	2,5		
6334	0,25	1,74	1375	0,94	62	0,64	2,8	3	2,8		
6344	0,37	2,6	1360	1,24	65,3	0,66	2,7	3	2,7		
7124	0,37	2,52	1400	1,1	67,9	0,72	2,75	4,2	2,75		
7134	0,55	3,76	1395	1,55	70,2	0,73	2,9	4,4	2,9		
7144	0,75	5,09	1405	2	74	0,73	2,9	5	2,9		
8024IE3	0,75	4,96	1440	1,94	82,5	0,68	3,6	6	3,7	S1	S3 70%
8034IE3	1,1	7,25	1450	2,91	84,1	0,65	4	6,8	4,4		S3 75%
9024IE3	1,5	10	1430	3,48	85,3	0,73	3,2	6,3	3,5		S3 45%
9034IE3	2,2	14,9	1410	4,68	86,7	0,79	3	6,2	3,3		S3 30%

SMM: AC Single phase electric motors

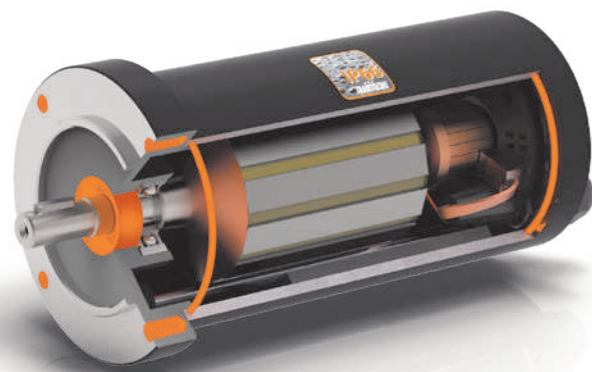
Type	P _n [kW]	M _n [Nm]	N _n [min ⁻¹]	I _n (230V) [A]	η %	cosΦ	M _s /M _n	I _s /I _n	M _k /M _n	Cond/cap [uF]	TEFC Duty	TENV Duty
5014	0,04	0,27	1390	0,6	33,4	0,88	0,74	1,6	1,55	8	S1	S3 30%
5024	0,06	0,42	1380	0,89	34,3	0,85	0,76	1,7	1,5	12		
5034	0,09	0,63	1375	1,1	40	0,89	0,8	1,7	1,45	16		
5624	0,09	0,63	1370	0,82	48,6	0,98	0,72	1,7	1,45	6,3		
5634	0,12	0,83	1380	1,06	50,3	0,98	0,75	2,1	1,65	9		
5644	0,18	1,25	1375	1,5	53,8	0,97	0,7	2,2	1,58	12,5		
6324	0,18	1,33	1290	1,5	54,5	0,97	1	1,8	1,45	12		
6334	0,25	1,85	1290	1,95	56,8	0,98	0,93	1,9	1,5	16		
7124	0,37	2,72	1300	2,78	58,6	0,99	0,77	2	1,35	20		
7134	0,55	3,95	1330	3,54	68,9	0,98	0,66	2,4	1,4	25		
8024	0,75	5,31	1350	4,93	67,4	0,98	0,67	2,5	1,54	35		S3 45%
												S3 40%



EC DC Electric motors



Available in stock



Endshields designed for excellent protection through **radial seal rings, o-rings** and **closed mounting holes**

ELECTRICAL FEATURES

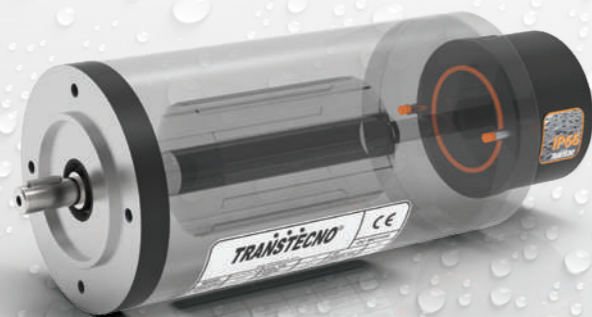
- Motor power: 50W up to 800W
- Low voltage power supply 12 and 24 Vdc
- Magnetic field generated by permanent ferrite magnets
- High starting torque in compact dimensions
- Insulation class F

MECHANICAL FEATURES

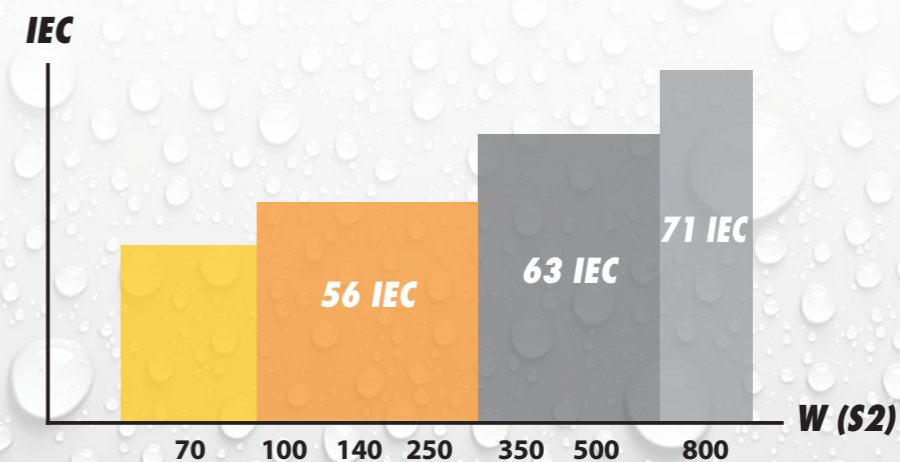
- IP66 according to **IEC/EN 60529**
- Output IEC flanges 56B14 up to 71B14
- Tubular construction, without fan
- Sizes available: diameter 65, 81, 104, 110 mm

Ferrite Permanent magnets DC electric motors

Type	Service Duty	P _n [W]	Voltage [V]	I _n [A]	M _n [Nm]	Mass [Kg]	FF	n _n [min-1]
EC050.120	S1	50	12	6,5	0,16	1.2	1	3000
	S2 30'	70		9	0,22			
EC050.240	S1	50	24	3,2	0,16	1.2	1	3000
	S2 30'	70		4,5	0,22			
EC070.120	S1	70	12	8.4	0.22	1.7	1	3000
	S2 30'	100		11.8	0.31			
EC070.240	S1	70	24	4.2	0.22	1.7	1	3000
	S2 30'	100		5.9	0.31			
EC100.120	S1	100	12	12	0.31	2.7	1	3000
	S2 25'	140		16.8	0.43			
EC100.240	S1	100	24	6	0.31	2.7	1	3000
	S2 25'	140		8.4	0.43			
EC180.120	S1	180	12	21.5	0.57	3.4	1	3000
	S2 25'	250		30	0.8			
EC180.240	S1	180	24	10.8	0.57	3.4	1	3000
	S2 25'	250		15	0.8			
EC250.120	S1	250	12	30	0.8	4.15	1	3000
	S2 25'	350		38.5	1.12			
EC250.240	S1	250	24	15	0.8	4.15	1	3000
	S2 25'	350		20.5	1.12			
EC350.120	S1	350	12	42	1.12	5.1	1	3000
	S2 30'	500		58.8	1.57			
EC350.240	S1	350	24	21	1.12	5.33	1	3000
	S2 30'	500		29.4	1.57			
EC600.120	S1	600	12	71	1.91	6.6	1	3000
	S2 30'	800		94.4	2.54			
EC600.240	S1	600	24	35.5	1.91	7.1	1	3000
	S2 30'	800		47.2	2.54			



BRAKE AND ENCODER
Motors designed to **grant high protection even with accessories installed**



Washdown Cover

Available
in stock 

Rubber gasket CA

Available
in stock 



Ideal solution to protect the gearbox in **harsh environmental conditions** or where cleaning is a fundamental part of the application:

- **Black anodized aluminium cover**
- **O-ring seal**
- **Captive screws**

ADVANTAGES:

- Increased gearbox life thanks to **higher corrosion protection**
- **Shaft and oil seal protection** under all weather and working conditions
- **Less maintenance**



CM
Wormgearboxes



CL
Wormgearboxes



CMB
Helical bevel gearboxes

Washdown cover available for all the worm and helical bevel gearboxes:

	Size								
	026	030	040	050	063	070	085	090	110
CM	✓	✓	✓	✓	✓	✓	✓	✓	✓
CL	✓	✓	✓	✓		✓			
CMM/CLL	✓	✓	✓	✓	✓	✓	✓	✓	✓
CMB			✓	✓	✓			✓	



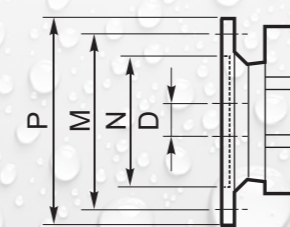
Waterproof **gasket** between **input flange and motor**

Rubber gasket designed to **grant high protection** to the whole gearmotor unit

ADVANTAGES:

Rubber gaskets might be considered simple accessories and their function is often underrated, but actually they guarantee:

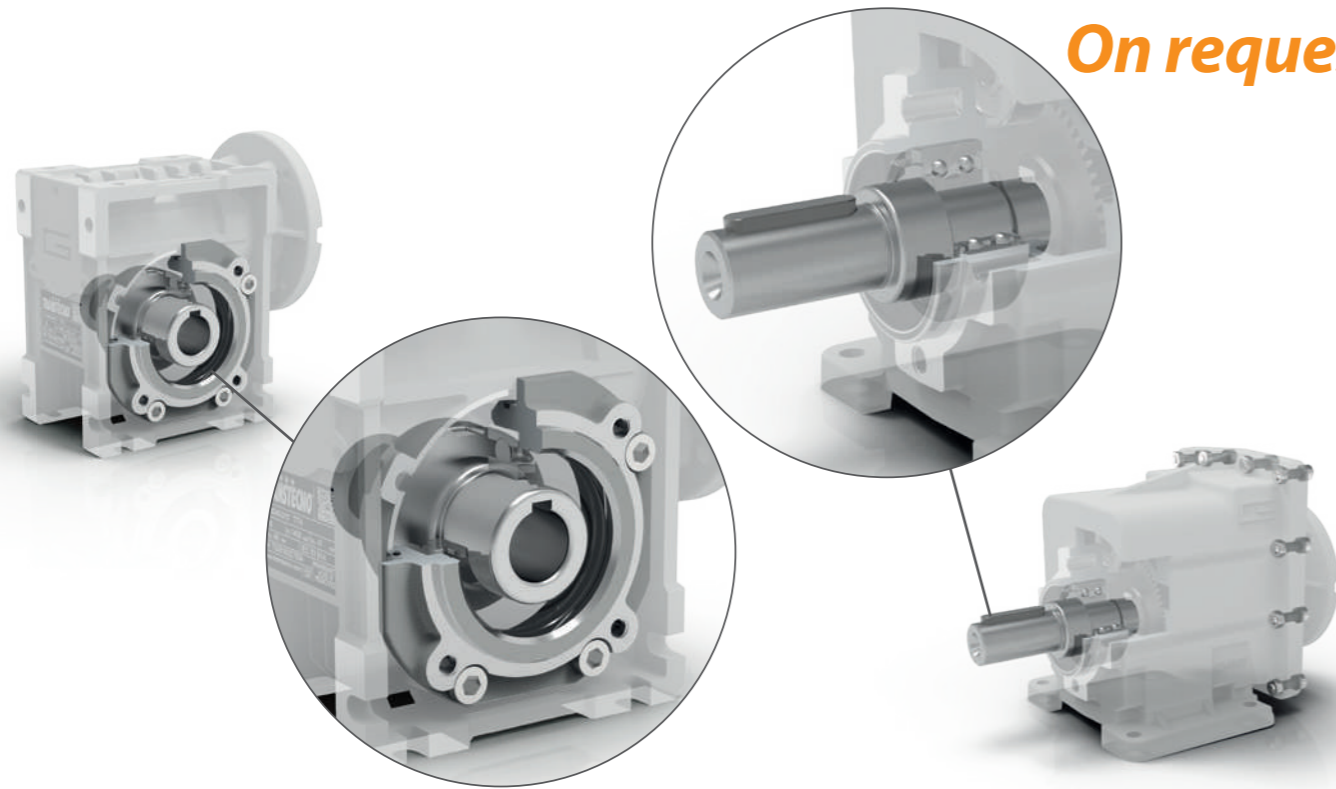
- **long-term resistance** to steam and water
- **constant mechanical properties** even in case of temperature surge
- **less maintenance**



	IEC Dimensions				
	56 B14	63 B14	71 B14	80 B14	90 B14
N	50	60	70	80	95
M	65	75	85	100	115
P	80	90	105	120	140
D	9	11	14	19	24

Stainless steel output shaft

On request



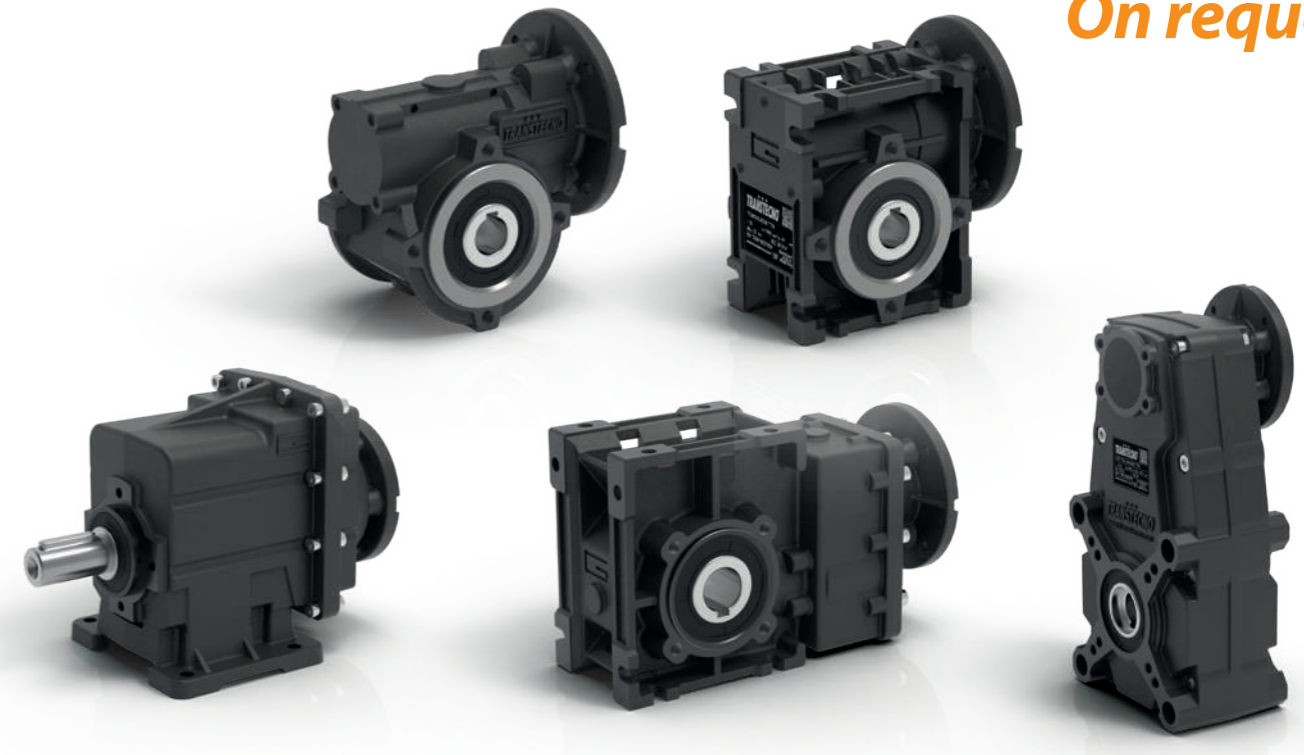
AISI stainless steel hollow output shaft, screws, bolts.

Excellent corrosion resistance properties in harsh environmental conditions:

- Mechanical properties preservation over a wide range of temperature
- Less maintenance

Black anodized surface

On request



Black anodized surface perfect for harsh environmental conditions

- Protection against corrosion of aluminium parts
- Thin and constant coating on all product parts
- Excellent resistance to UV exposure
- Higher hardness and strength

GEARBOX FEATURES

- Die-cast aluminium housing for helical in-line gearboxes CMG, helical bevel gearboxes CMB, helical parallel gearboxes FT, wormgearboxes CM-CL
- Permanently lubricated and maintenance-free gearmotors
- Gearmotors that can be installed in any mounting position

CMG	Nominal output torque Mn ₂ [Nm]
CMG002	70
CMG012/3	120
CMG022/3	200
CMG032/3	300
CMG042/3	500

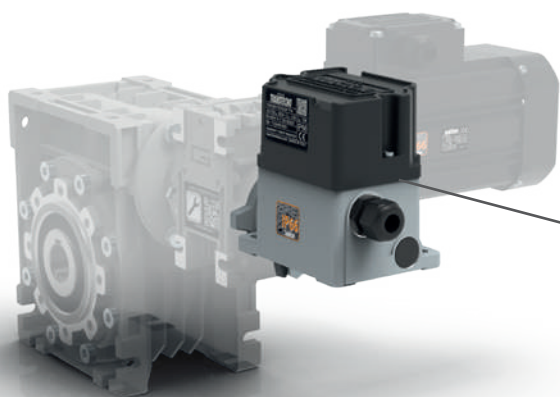
CMB	Nominal output torque Mn ₂ [Nm]
CMB402	65
CMB502	125
CMB633	250
CMB903	500

CM-CL	Nominal output torque Mn ₂ [Nm]
CM026 - CL026	15
CM030 - CL030	22
CM040 - CL040	48
CM050 - CL050	88
CM063	166
CM070 - CL070	241
CM075	289
CM090	493
CM110	815

FT	Nominal output torque Mn ₂ [Nm]
FT105	65
FT146	120
FT196	550

TOR-N Rotary Limit Switch

Available
in stock 



IP66 protection standard thanks to:
**cover with gasket, cable gland,
o-ring, closed mounting holes**

The rotary limit switch is a device which allows you to control the movement of industrial machines.

FEATURES:

- aluminium housing and flanges
- plastic cover (ABS)
- easy coupling with all Transtecno wormgearboxes through a suitable flange and shaft
- two sizes: TOR18N (version with contacts only) and TOR36N (version with both contacts and potentiometer)



MA TRANSTECNO S.A.P.I. DE C.V.
 Av. Mundial # 176, Parque Industrial
 JM Apodaca, Nuevo León,
 C.P. 66600
 MÉXICO
 T +52 8113340920
 info@transtecno.com.mx
 www.transtecno.com.mx



TRANSTECNO SRL
 Via Caduti di Sabbiano, 11/D-E
 40011 Anzola dell'Emilia (BO)
 ITALY
 T+39 051 64 25 811
 F +39 051 73 49 43
 sales@transtecno.com
 www.transtecno.com



HANGZHOU TRANSTECNO POWER TRANSMISSIONS CO LTD
 No.4 Xiuyan Road Fengdu Industry Zone
 Pingyao Town Yuhang District
 Hangzhou City, Zhejiang Province
 311115 – CHINA
 T +86 571 86 92 02 60
 F +86 571 86 92 18 10
 info-china@transtecno.com
 www.transtecno.cn



TRANSTECNO U.S.A. LLC
 5440 S.W. 156th Place Miami,
 FL 33185 - USA
 Tel: +1 (305) 220-4423
 Fax: +1 (305) 220-5945
 usaoffice@transtecno.com



TRANSTECNO B.V.
 Ind. terrein Wieken/Vinkenhoeft
 De Stuwdam, 43
 3815 KM Amersfoort - NETHERLANDS
 Tel: +31(0) 33 45 19 505
 Fax: +31(0) 33 45 19 506
 info@transtecno.nl
 www.transtecno.nl



SALES OFFICE INDIA
 A/10, Anagha, S.N. Road, Mulund (W) Mumbai
 400080 - INDIA
 Tel: +91 9820614698
 Fax-Italy: +39 051 73 49 43
 indiaoffice@transtecno.com



SALES OFFICE BRAZIL
 Rua Dr. Freire Alemão 155 / 402 - CEP. 90450-060
 Auxiliadora Porto Alegre RS - BRAZIL
 Tel: +55 51 3251 5447
 Fax: +55 51 3251 5447
 Mobile: +55 51 811 45 962
 braziloffice@transtecno.com
 www.transtecno.com.br



TRANSTECNO AANDRIJFTECHNIEK B.V.
 De Stuwdam 43
 3815 KM Amersfoort - NETHERLANDS
 Tel: +31 (0) 33 20 4 7 006
 info@transtecnoaandrijftechniek.nl
 www.transtecnoaandrijftechniek.nl



SALES OFFICE SOUTH KOREA
 D-304 Songdo BRC Smart Valley 30, Songdomirae-ro,
 Yeonsu-gu, Incheon, 406-840 - KOREA
 Tel: +82 70 8288 2107
 Fax: +82 32 815 2107
 Mobile: +82 10 5094 2107
 koreaoffice@transtecno.com



**TRANSTECNO IBÉRICA
 THE MODULAR GEAR MOTOR, S.A.**
 C/Enginy, 2 Nave 6 - 08850 Gavà (Barcelona) - SPAIN
 Tel: +34 931 598 950
 info@transtecno.es
 www.transtecno.es



SALES OFFICE OCEANIA
 44 Northview drive, Sunshine west 3020
 Victoria - AUSTRALIA
 Ph +61 03 9312 4722
 Fax +61 03 9312 4714
 Mobile: +61 0438060997
 oceaniaoffice@transtecno.com
 www.transtecno.com.au



SALES OFFICE FRANCE
 Tel: +33 (0) 6 85 12 09 87
 Fax-Italy: +39 051 73 49 43
 franceoffice@transtecno.com
 www.transtecno.fr

TRANSTECNO®
 the modular gearmotor
 www.transtecno.com