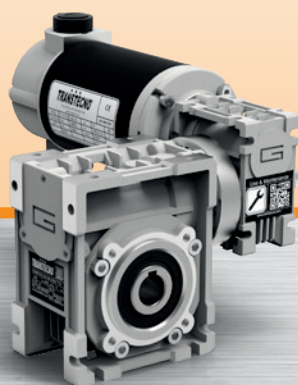


MINI  **TECNO**™
small but strong

ECMM

Motoriduttori CC a vite senza fine combinati
DC double reduction wormgearmotors



MINI  **TECNO**™ brand of
TRANSTECNO®



DC



Indice	Index	Pag. Page
Caratteristiche tecniche	<i>Technical features</i>	B12
Designazione	<i>Classification</i>	B12
Simbologia	<i>Symbols</i>	B12
Esecuzioni di montaggio	<i>Mounting executions</i>	B12
Combinazioni rapporti	<i>Combination ratio</i>	B13
Lubrificazione	<i>Lubrication</i>	B13
Dati tecnici per servizio S2	<i>Technical data for S2 duty</i>	B14
Motori applicabili	<i>Motor adapters</i>	B15
Dimensioni	<i>Dimensions</i>	B16
Opzioni	<i>Options</i>	BI15
Accessori	<i>Accessories</i>	BI15

Questa sezione annulla e sostituisce ogni precedente edizione o revisione. Qualora questa sezione non Vi sia giunta in distribuzione controllata, l'aggiornamento dei dati ivi contenuto non è assicurato. **In tal caso la versione più aggiornata è disponibile sul nostro sito internet www.transtecno.com**

This section replaces any previous edition and revision. If you obtained this catalogue other than through controlled distribution channels, the most up to date content is not guaranteed. In this case the latest version is available on our web site www.transtecno.com

**Caratteristiche tecniche****Technical features**

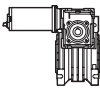
I motoriduttori CC a vite senza fine combinati a magneti permanenti in ferrite **ECMM** hanno le seguenti caratteristiche principali:

- Alimentazione in bassa tensione 12/24Vcc
- Possibilità di montaggio encoder e freno
- Potenze motore disponibili da 100 a 500W S2
- Carcassa dei riduttori in pressofusione di alluminio.
- Lubrificazione permanente con olio sintetico

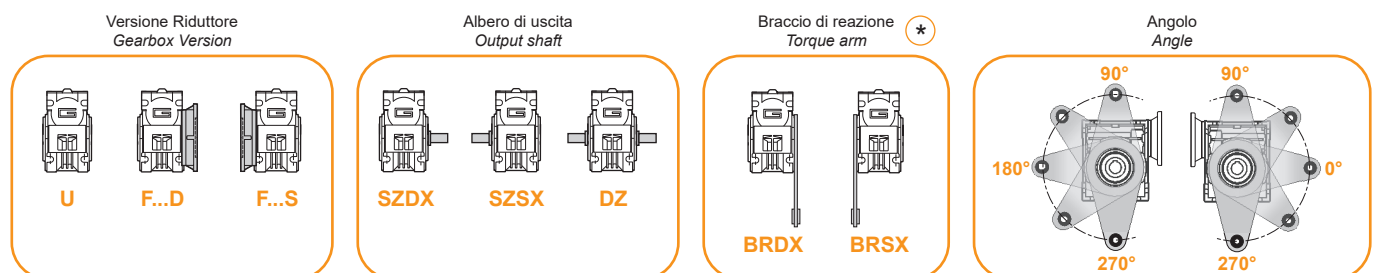
ECMM ferrite permanent magnets DC double reduction wormgearmotors range has the following main features:

- Low voltage power supply 12/24Vdc
- Suitable for encoder and brake assembly
- Motor power ratings available from 100 up to 800W S2
- Die cast aluminium housing
- Permanent synthetic oil long life lubrication

Designazione**Classification**

MOTORIDUTTORE / GEARMOTOR													
ECMM	100/026/026				U	150	SZDX	BRSX	90	B3	UB1	120	VS1
Tipo Type	Grandezza Size				Versione Version	Rapporto Ratio	Albero di uscita Output shaft	Braccio di reazione Torque arm	Angolo Angle	Pos. di montaggio Mounting position	Esecuzione di montaggio Mounting execution	Versione motore Motor version	Opzioni Options
	070/026/026 070/026/026 (D11) 070/026/026 (D14) 070/026/030 070/026/040	100/026/026 100/026/026 (D11) 100/026/026 (D14)	180/026/040 180/030/040	250/030/040 350/030/040	U F...	vedi tabelle see tables	SZDX SZSX DZ	BRDX BRSX *	0° 90° 180° 270°	B3 B8 B6 B7 V5 V6	UB1 UB2 US1 US2 UV1 UV2 UC1 UC2	120 240 24E	VS1 VS2

* NOTA: il braccio di reazione viene fornito smontato.
NOTE: the torque arm will be supplied not assembled.

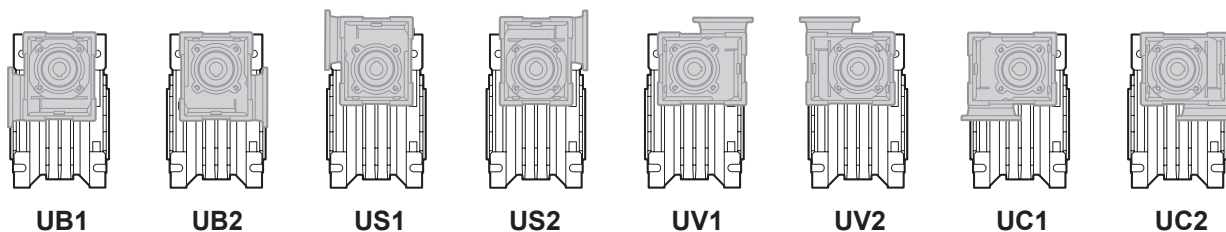
**Simbologia****Symbols**

n_1	[min^{-1}]	Velocità in ingresso / Input speed	M_2	[Nm]	Coppia in uscita in funzione di P_1 / Output torque referred to P_1
n_2	[min^{-1}]	Velocità in uscita / Output speed	sf		Fattore di servizio / Service factor
i		Rapporto di riduzione / Ratio	R_2	[N]	Carico radiale ammissibile in uscita / Permitted output radial load
P_1	[kW]	Potenza in entrata / Input power	A_2	[N]	Carico assiale ammissibile in uscita / Permitted output axial load



Esecuzioni di montaggio

Mounting executions



Combinazioni rapporti

Combination ratio

CMM 026/026 - CMM 026/030 - CMM 026/040												
i (i ₁ x i ₂)												
	150	225	300	450	600	900	1200	1500	1800	2400	3000	3600
i ₁	10	15	10	15	20	30	40	50	60	60	60	60
i ₂	15	15	30	30	30	30	30	30	30	40	50	60

CMM 030/040																
i (i ₁ x i ₂)																
	75	100	150	200	250	300	400	500	600	750	900	1200	1500	1800	2400	3000
i ₁	7.5	10	10	10	10	10	10	10	20	25	30	40	50	60	60	60
i ₂	10	10	15	20	25	30	40	50	30	30	30	30	30	30	40	50

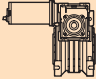
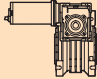
Lubrificazione

Lubrication

Tutti i motoriduttori nelle taglie 26, 30, 40 sono forniti completi di lubrificante sintetico viscosità 320, pertanto possono essere installati in qualunque posizione di montaggio e non necessitano di manutenzione.

Permanent synthetic oil long-life lubrication (viscosity grade 320) makes it possible to use the gearmotors size 26, 30, 40 in all mounting positions; for this reason they can be installed in any assembly position and do not require maintenance.

**Dati tecnici per servizio S2****Technical data for S2 duty**

P_1 [W]	n_2 [min ⁻¹]	M_2 [Nm]	sf	i		Versione motore Motor version	P_1 [W]	n_2 [min ⁻¹]	M_2 [Nm]	sf	i		Versione motore Motor version			
100							140									
(3000 min ⁻¹)	20.0	26	1.0	150	ECMM 070/026/026	12E/24E	(3000 min ⁻¹)	20.0	26	1.0	150	ECMM 100/026/026	120/240/24E			
	13.3	26	1.0	225					13.3	26	1.0			225		
	10.0	27	1.0	300					10.0	27	1.0			300		
	6.7	27	1.0	450					6.7	27	1.0			450		
	5.0	27	1.0	600					5.0	27	1.0			600		
	3.3	27	1.0	900					3.3	27	1.0			900		
	2.5	27	1.0	1200					2.5	27	1.0			1200		
	2.0	27	1.0	1500					2.0	27	1.0			1500		
	1.7	27	1.0	1800					1.7	27	1.0			1800		
	1.3	22	1.0	2400					1.3	22	1.0			2400		
	1.0	20	1.0	3000					1.0	20	1.0			3000		
	0.8	18	1.0	3600					0.8	18	1.0			3600		
	20.0	26	1.5	150			ECMM 070/026/030	12E/24E		20.0	37			1.1	150	ECMM 100/026/030
	13.3	39	1.0	225					13.3	39	1.0	225				
	10.0	40	1.0	300					10.0	40	1.0	300				
	6.7	40	1.0	450					6.7	40	1.0	450				
	5.0	40	1.0	600					5.0	40	1.0	600				
	3.3	40	1.0	900					3.3	40	1.0	900				
	2.5	40	1.0	1200					2.5	40	1.0	1200				
	2.0	40	1.0	1500					2.0	40	1.0	1500				
	1.7	40	1.0	1800					1.7	40	1.0	1800				
	1.3	34	1.0	2400					1.3	34	1.0	2400				
	1.0	30	1.0	3000					1.0	30	1.0	3000				
	0.8	27	1.0	3600					0.8	27	1.0	3600				
	20.0	27	3.2	150	ECMM 070/026/040	12E/24E				20.0	38	2.3	150	ECMM 100/026/040	120/240/24E	
	13.3	40	2.2	225					13.3	55	1.6	225				
	10.0	45	2.0	300					10.0	63	1.4	300				
	6.7	66	1.4	450					6.7	92	1.0	450				
	5.0	85	1.1	600					5.0	90	1.0	600				
	3.3	90	1.0	900					3.3	90	1.0	900				
	2.5	90	1.0	1200					2.5	90	1.0	1200				
	2.0	90	1.0	1500					2.0	90	1.0	1500				
	1.7	90	1.0	1800					1.7	90	1.0	1800				
	1.3	74	1.0	2400					1.3	74	1.0	2400				
	1.0	68	1.0	3000					1.0	68	1.0	3000				
	0.8	62	1.0	3600					0.8	62	1.0	3600				
	40.0	15	5.5	75			ECMM 070/030/040	12E/24E		40.0	21	3.9	75			ECMM 100/030/040
	30.0	20	4.2	100					30.0	28	3.0	100				
	20.0	28	3.2	150					20.0	38	2.3	150				
	15.0	36	2.1	200					15.0	50	1.5	200				
	12.0	43	1.6	250					12.0	59	1.1	250				
	10.0	46	2.0	300					10.0	63	1.4	300				
	7.5	55	1.3	400					7.5	77	1.0	400				
	6.0	63	1.1	500					6.0	87	0.8	500				
	5.0	86	1.0	600					5.0	119	0.8	600				
	4.0	103	0.9	750					4.0	90	1.0	750				
	3.3	118	0.8	900					3.3	90	1.0	900				
	2.5	74	1.0	1200					2.5	74	1.0	1200				
	2.0	90	1.0	1500					2.0	90	1.0	1500				
	1.7	90	1.0	1800			1.7	90	1.0	1800						
	1.3	74	1.0	2400			1.3	74	1.0	2400						
	1.0	68	1.0	3000			1.0	68	1.0	3000						

NOTA: per servizio continuo o altamente intermittente, contattare il servizio tecnico

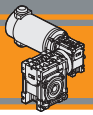
NOTE: for continuous or highly intermittent duty, please contact our technical service

NOTA:

Verificare sempre che la coppia M_2 utilizzata non ecceda il valore indicato nelle caselle in grigio

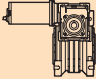
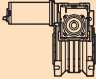
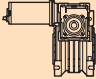
NOTE:

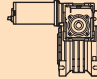
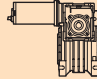
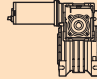
Please check that the output torque M_2 does not exceed the value in the grey areas



Dati tecnici per servizio S2

Technical data for S2 duty

P_1 [W]	n_2 [min ⁻¹]	M_2 [Nm]	sf	i		Versione motore Motor version
250						
(3000 min ⁻¹)	20.0	70	1.2	150		ECMM 180/026/040 120/240
	13.3	103	0.8	225		
	10.0	116	0.8	300		
	40.0	40	2.1	75		ECMM 180/030/040 120/240/24E
	30.0	52	1.6	100		
	20.0	71	1.2	150		
	15.0	92	0.8	200		
	12.0	67	1.0	250		
	10.0	90	1.0	300		
	7.5	74	1.0	400		
	6.0	68	1.0	500		
	5.0	90	1.0	600		
	4.0	90	1.0	750		
	3.3	90	1.0	900		

P_1 [W]	n_2 [min ⁻¹]	M_2 [Nm]	sf	i		Versione motore Motor version
350						
(3000 min ⁻¹)	40.0	55	1.5	75		ECMM 250/030/040 120/240
	30.0	72	1.2	100		
	20.0	100	0.9	150		
	15.0	74	1.0	200		
	500					
(3000 min ⁻¹)	40.0	78	1.1	75		ECMM 350/030/040 120/240
	30.0	101	0.8	100		
	20.0	87	1.0	150		

NOTA: per servizio continuo o altamente intermittente, contattare il servizio tecnico
NOTE: for continuous or highly intermittent duty, please contact our technical service

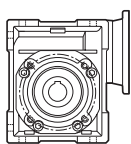
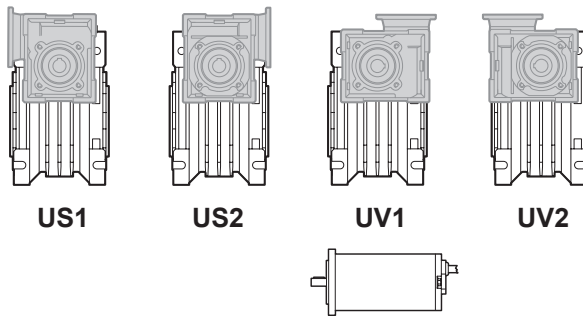
Dati tecnici elettrici

Electrical technical data



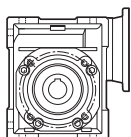
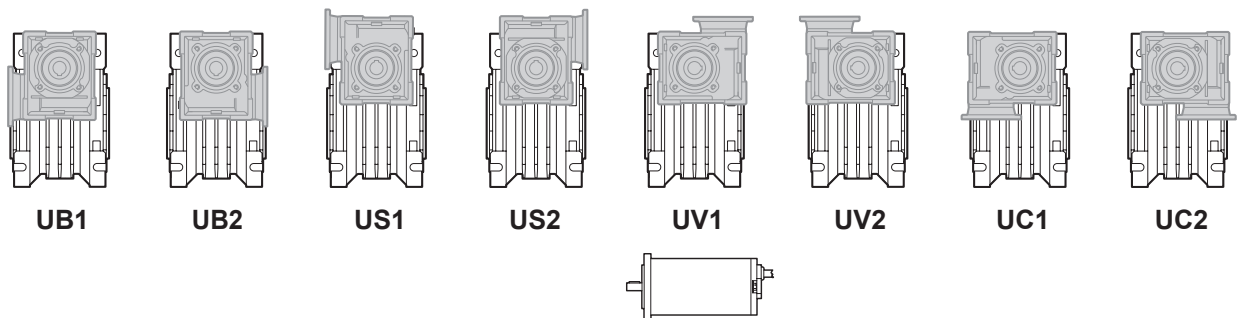
Motori applicabili

Motor adapters



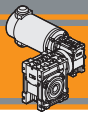
		EC			
		070.12E 070.24E	100.120 100.240	100.24E	180.120 180.240
CMM	026/026	150 - 3600	150 - 3600	150 - 3600	150 - 3600

150 - 3600 Rapporti di riduzione i / Ratio i



		EC						
		070.12E 070.24E	100.120 100.240	100.24E	180.120 180.240	180.24E	250.120 250.240	350.120 350.240
CMM	026/030	150 - 3600	150 - 3600	150 - 3600	150 - 3600			
	026/040	150 - 3600	150 - 3600	150 - 3600	150 - 3600			
	030/040	75 - 3000	75 - 3000	75 - 3000	75 - 3000	75 - 1500	75 - 1500	75 - 1500

75 - 1500 Rapporti di riduzione i / Ratio i



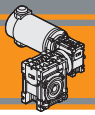
Dimensioni

Dimensions

CMM..U - CMM..F..																	
	A	C	D _{H8}	E	F	G	G1	H	H1	I	I1	K	L	M	N _{h8}	N1	N2
026/026 (D11)	45	70	11	83	22	47.5	50	35	34	26	26	34	42	55	45	22.5	21
026/026			12														
026/026 (D14)			14														
026/030	54	80	14	97	32	47.5	63	40	34	30	26	44	56	65	55	29	21
026/040	70	100	18	121.5	43	47.5	78	50	34	40	26	60	71	75	60	36.5	21
030/040	70	100	18	121.5	43	55	78	50	40	40	30	60	71	75	60	36.5	29

CMM..U - CMM..F..															
	O	P	Q	R	R1	S	T	V	Z	KE	a	b	t	Kg (*)	
026/026 (D11)	6	—	37	49	49	5	15	21	76	7	—	4	12.8	3.3	
026/026												4	13.8		
026/026 (D14)												5	16.2		
026/030	6.5	75	44	57	49	5.5	22	27	81	M6x10(n.4)	90°	5	16.3	4.1	
026/040	6.5	87	55	71.5	49	6.5	26	35	91.5	M6x8(n.4)	45°	6	20.8	5.2	
030/040	6.5	87	55	71.5	57	6.5	26	35	122	M6x8(n.4)	45°	6	20.8	5.6	

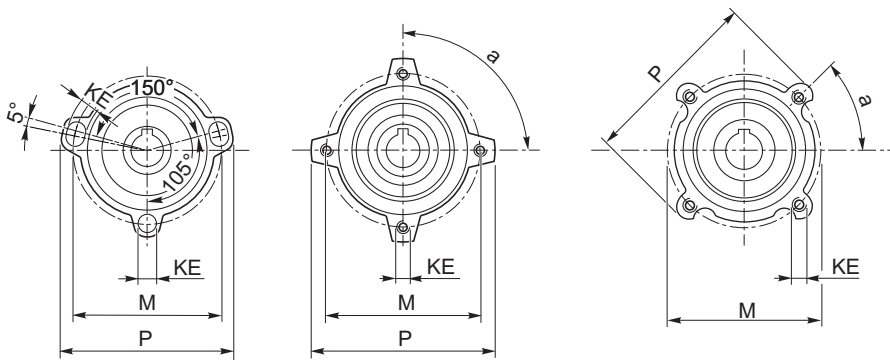
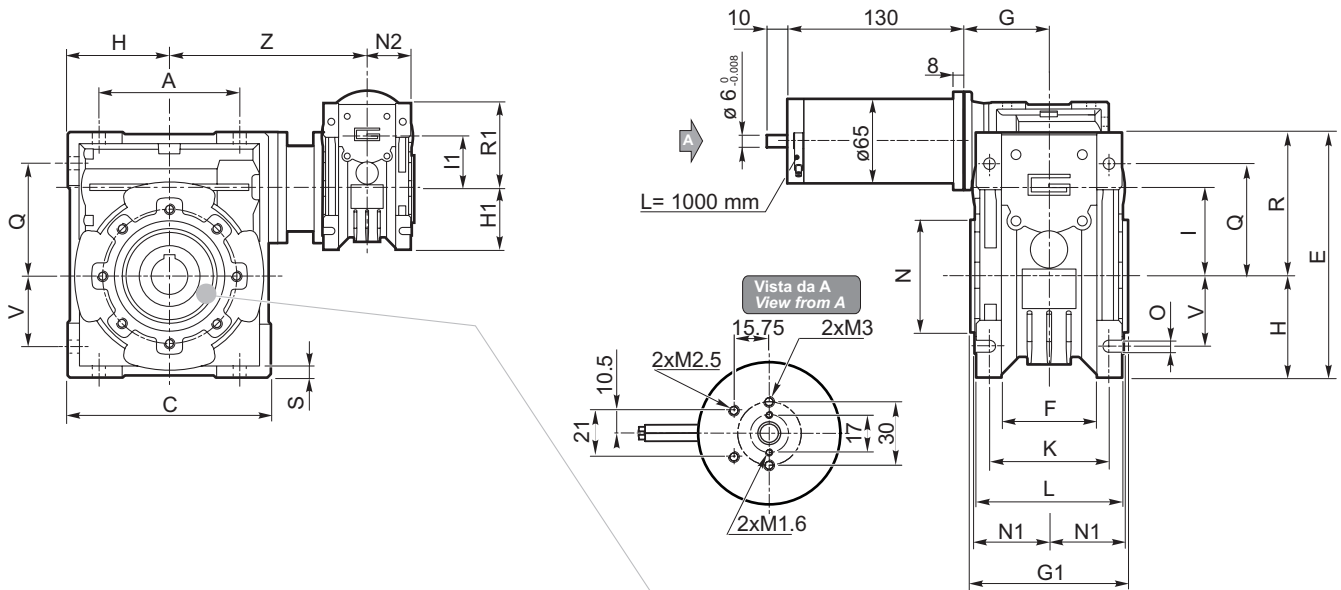
(*) **Nota:** Il peso in kg si riferisce al motoriduttore ECMM 070 /...
Note: The weight in kg is referred to the gearmotor ECMM 070 /...



Dimensioni

Dimensions

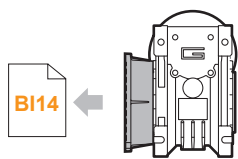
ECMM070/...U



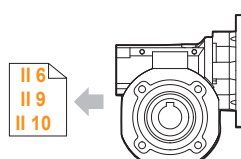
..026/026

..026/030

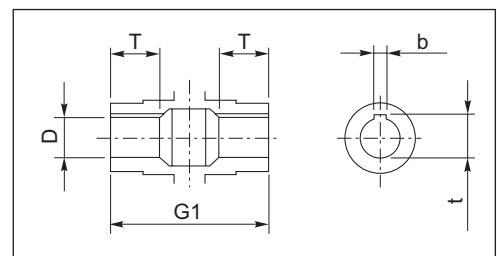
..026/040
..030/040



ECMM070/... F...
ECMM070/... FL
ECMM070/... FB



CL026
CL030
CL040



Albero lento cavo / Hollow output shaft

Motori / Motors IP66

BC2

Freno / Brake

BB23

Encoder

BB24

DC



Dimensioni

Dimensions

CMM..U - CMM..F...																	
	A	C	D _{H8}	E	F	G	G1	H	H1	I	I1	K	L	M	N _{h8}	N1	N2
026/026 (D11)	45	70	11	83	22	47.5	50	35	34	26	26	34	42	55	45	22.5	21
026/026			12														
026/026 (D14)			14														
026/030	54	80	14	97	32	47.5	63	40	34	30	26	44	56	65	55	29	21
026/040	70	100	18	121.5	43	47.5	78	50	34	40	26	60	71	75	60	36.5	21
030/040	70	100	18	121.5	43	55	78	50	40	40	30	60	71	75	60	36.5	29

CMM..U - CMM..F...															
	O	P	Q	R	R1	S	T	V	Z	KE	a	b	t	Kg (*)	
026/026 (D11)	6	—	37	49	49	5	15	21	76	7	—	4	12.8	3.3	
026/026												4	13.8		
026/026 (D14)												5	16.2		
026/030	6.5	75	44	57	49	5.5	22	27	81	M6x10(n.4)	90°	5	16.3	5.1	
026/040	6.5	87	55	71.5	49	6.5	26	35	91.5	M6x8(n.4)	45°	6	20.8	6.2	
030/040	6.5	87	55	71.5	57	6.5	26	35	122	M6x8(n.4)	45°	6	20.8	6.6	

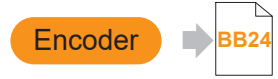
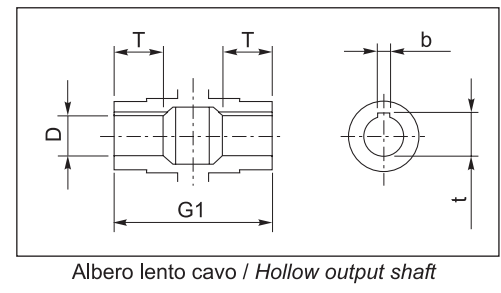
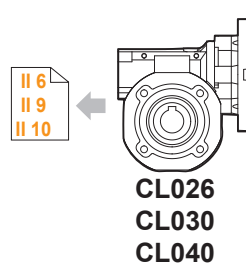
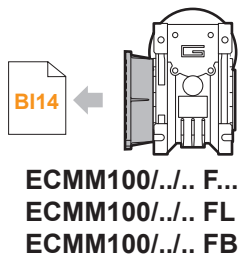
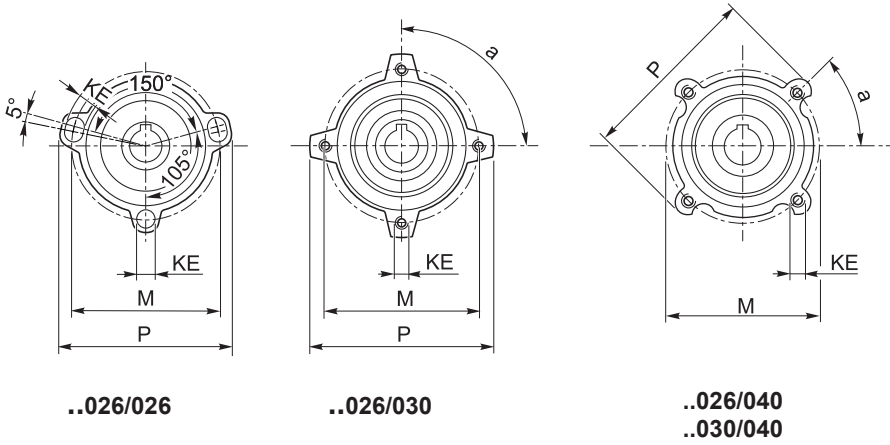
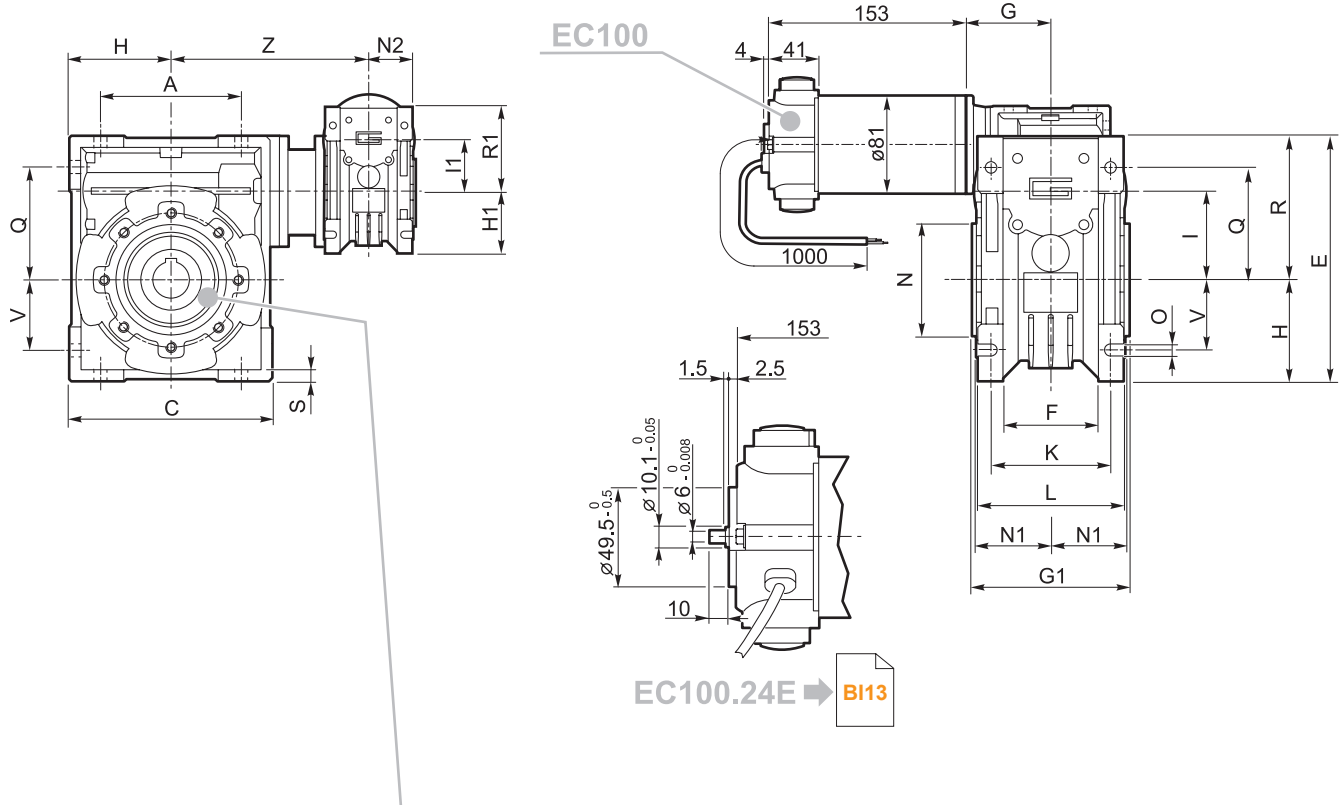
(*) **Nota:** Il peso in kg si riferisce al motoriduttore ECMM 100 /...
Note: The weight in kg is referred to the gearmotor ECMM 100 /...



Dimensioni

Dimensions

ECMM100/...U



DC



Dimensioni

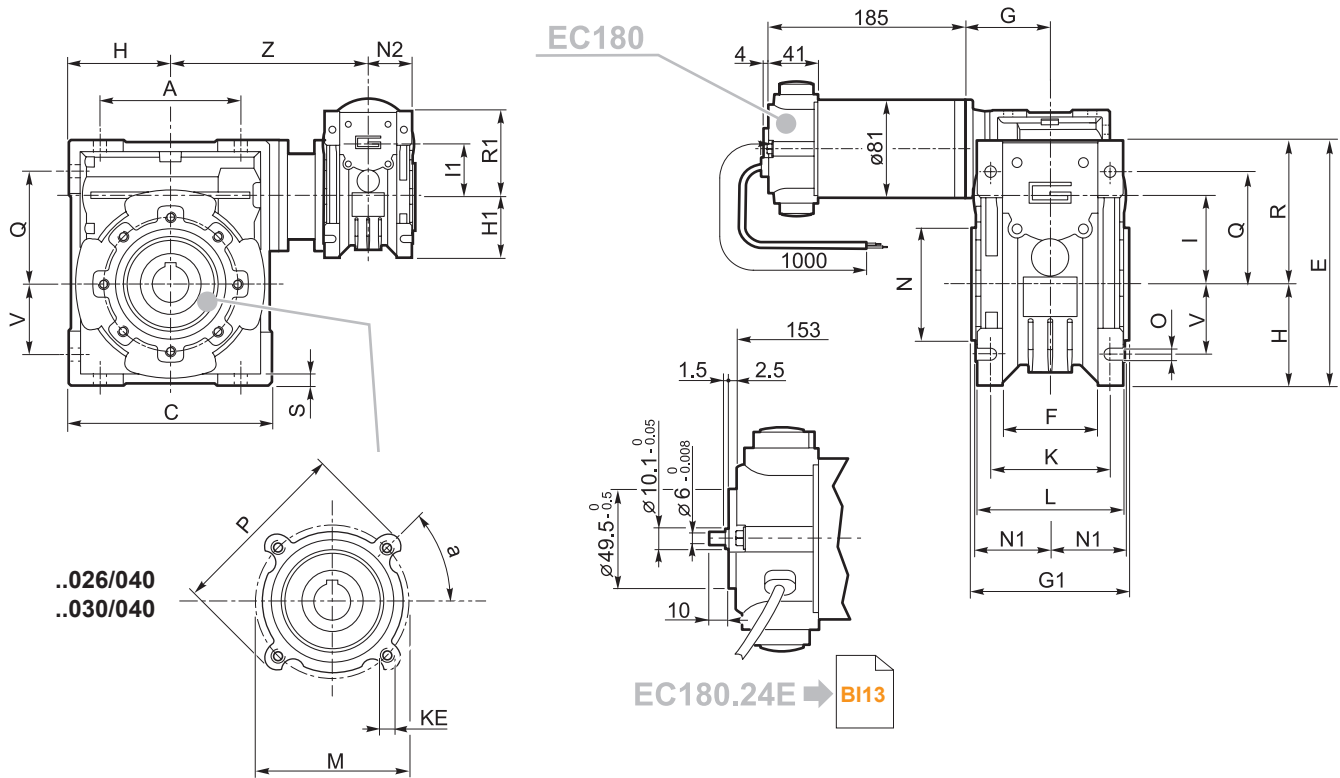
Dimensions

CMM..U - CMM..F - CMM..FB - CMM..FL																	
	A	C	D _{H8}	E	F	G	G1	H	H1	I	I1	K	L	M	N _{H8}	N1	N2
026/040	70	100	18	121.5	43	47.5	78	50	34	40	26	60	71	75	60	36.5	21
030/040	70	100	18	121.5	43	55	78	50	40	40	30	60	71	75	60	36.5	29

CMM..U - CMM..F - CMM..FB - CMM..FL														
	O	P	Q	R	R1	S	T	V	Z	KE	a	b	t	Kg (*)
026/040	6.5	87	55	71.5	49	6.5	26	35	91.5	M6x8(n.4)	45°	6	20.8	6.9
030/040	6.5	87	55	71.5	57	6.5	26	35	122	M6x8(n.4)	45°	6	20.8	7.3

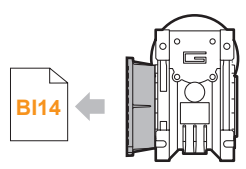
(*) **Nota:** Il peso in kg si riferisce al motoriduttore ECMM 180 /...
Note: The weight in kg is referred to the gearmotor ECMM 180 /...

ECMM180/...U

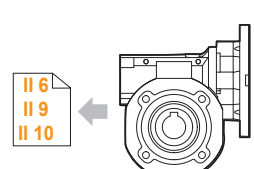


..026/040
..030/040

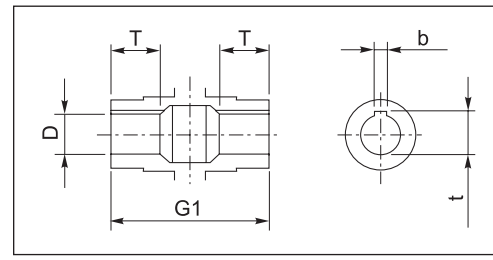
EC180.24E → BI13



ECMM180/... F
ECMM180/... FL
ECMM180/... FB



CL026
CL030
CL040



Albero lento cavo / Hollow output shaft

Motori / Motors IP66 → BC6

Freno / Brake → BB23

Encoder → BB24



Dimensioni

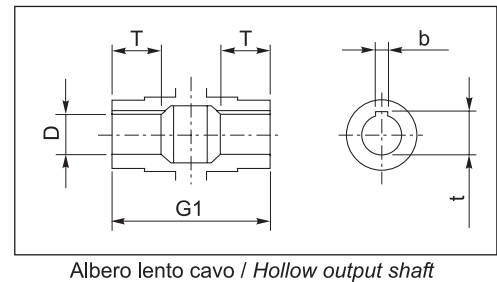
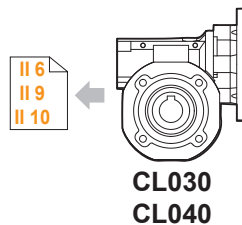
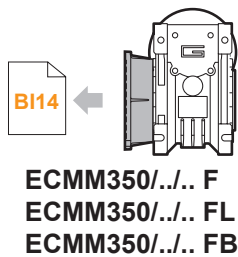
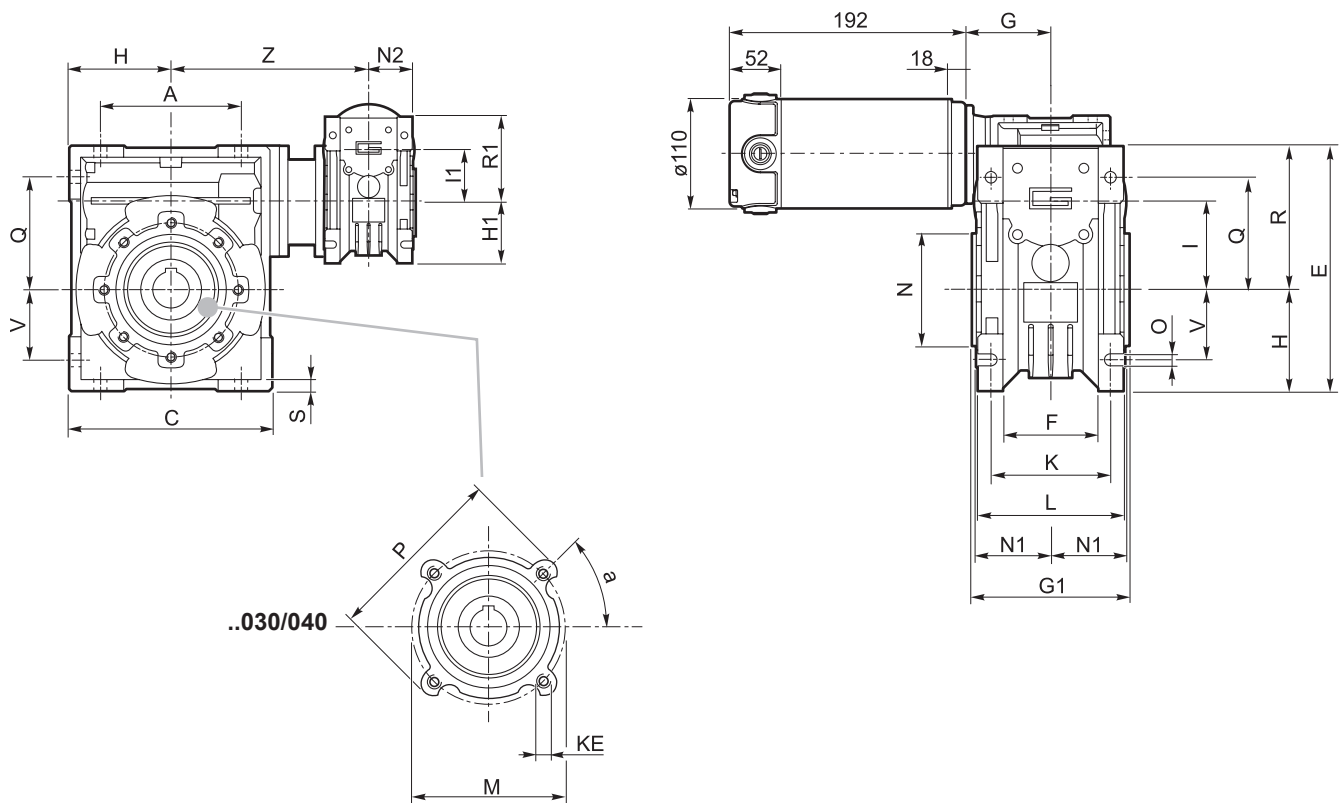
Dimensions

CMM..U - CMM..F - CMM..FB - CMM..FL																	
	A	C	D _{H8}	E	F	G	G1	H	H1	I	I1	K	L	M	N _{h8}	N1	N2
030/040	70	100	18	121.5	43	55	78	50	40	40	30	60	71	75	60	36.5	29

CMM..U - CMM..F - CMM..FB - CMM..FL															
	O	P	Q	R	R1	S	T	V	Z	KE	a	b	t	(*)	
030/040	6.5	87	55	71.5	57	6.5	26	35	122	M6x8(n.4)	45°	6	20.8	9.2	

(*) **Nota:** Il peso in kg si riferisce al motoriduttore ECMM 350 /...
Note: The weight in kg is referred to the gearmotor ECMM 350 /...

ECMM350/...U

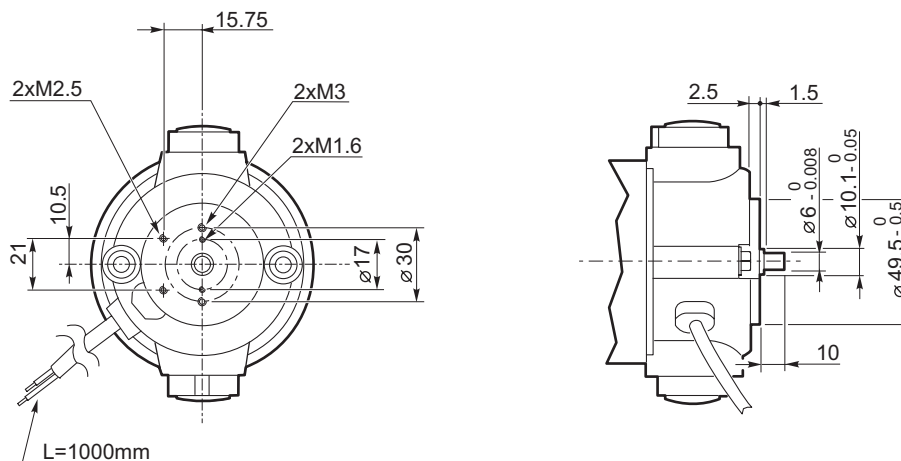


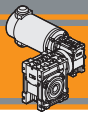


Dimensioni

Dimensions

EC100.24E
EC180.24E

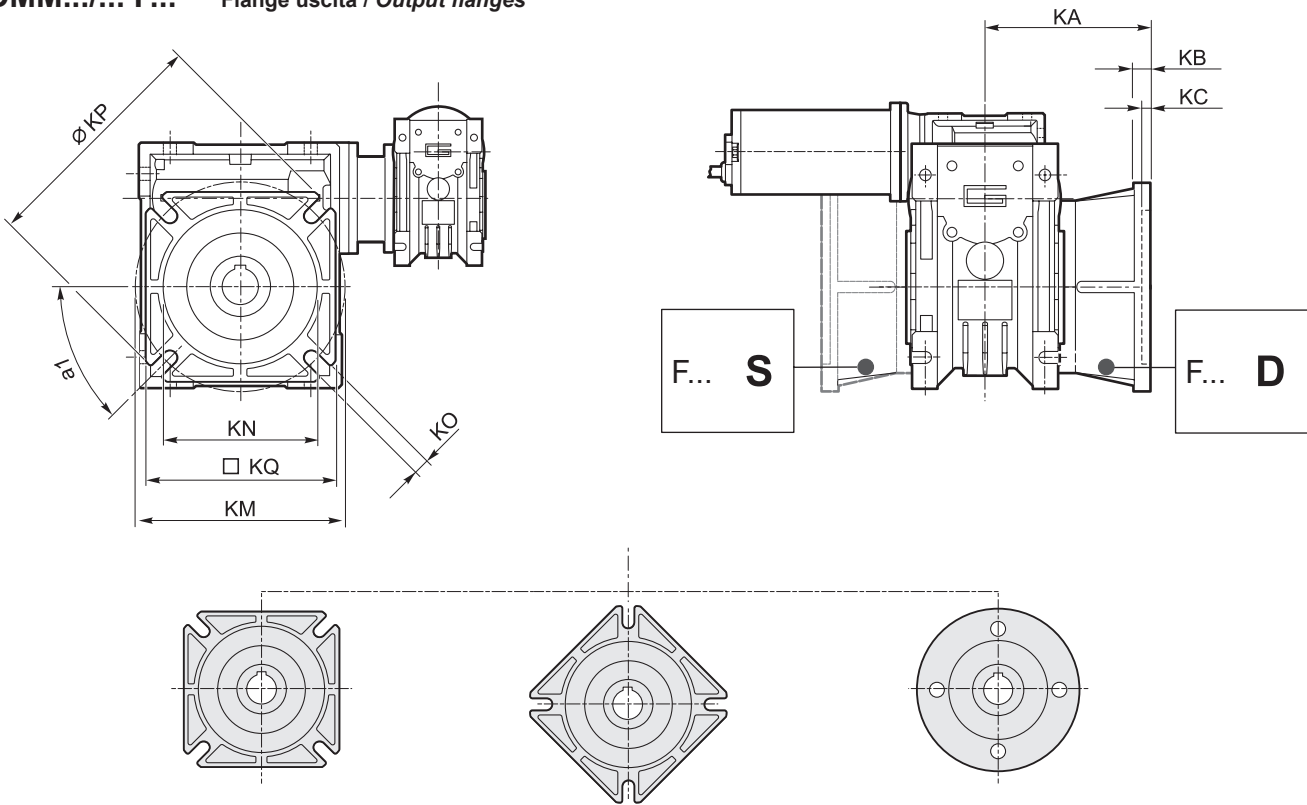




Dimensioni

Dimensions

ECMM.../... F... Flange uscita / Output flanges



- ..ECMM.../.../026.. F
- ..ECMM.../.../026.. F30C
- ..ECMM.../.../026.. F100
- ..ECMM.../.../026.. F28
- ..ECMM.../.../026.. F30SC
- ..ECMM.../.../026.. F30
- ..ECMM.../.../026.. F30S
- ...ECMM.../.../030.. F..
- ..ECMM.../.../040.. F..

	CM..F						CM..F28						CM..F30						CM..F30S ⁽¹⁾															
	a1	KA	KB	KC	KM	KN _{H8}	KO	KP	KQ	KA	KB	KC	KM	KN _{H8}	KO	KP	KQ	KA	KB	KC	KM	KN _{H8}	KO	KP	KQ	KA	KB	KC	KM	KN _{H8}	KO	KP	KQ	
026 (D11)	45°	45	6	4.5	55-69	40	6.5	75	70	44	6.5	5	56-64	40	6.5	70	60	48	6.5	5	68	50	6.5	80	70	50	8.5	7	68	50	6.5	80	70	
026							(n.4)																											
026 (D14)																																		

(1): F30S eseguita con F30 e distanziale di spessore 2 mm / F30S made with F30 and spacer with 2mm thickness

	CM..F30C						CM..F30SC ⁽²⁾						CM..F100												
	a1	KA	KB	KC	KM	KN _{H8}	KO	KP	KQ	KA	KB	KC	KM	KN _{H8}	KO	KP	KQ	KA	KB	KC *	KM	KN _{h7}	KO	KP	KQ
026 (D11)	-	48	6.5	7	68	50	6.5	80	70	50	8.5	7	68	50	6.5	80	70	51.5	8	2 *	86	45	6.5	100	-
026																									
026 (D14)																									

(2): F30SC eseguita con F30C e distanziale di spessore 2 mm / F30SC made with F30C and spacer with 2mm thickness

*: Centraggio maschio / Male centering diameter

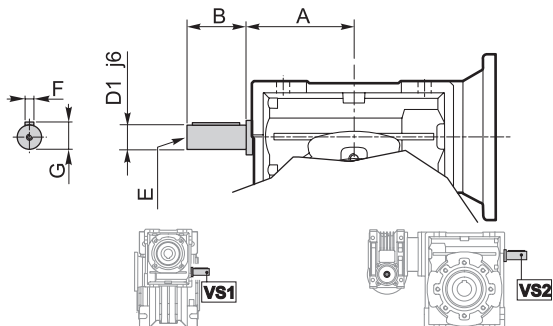
CM	CM..F						CM..FB						CM..FL												
	a1	KA	KB	KC	KM	KN _{H8}	KO	KP	KQ	KA	KB	KC	KM	KN _{H8}	KO	KP	KQ	KA	KB	KC	KM	KN _{H8}	KO	KP	KQ
030	45°	54.5	6	4	68	50	6.5(n.4)	80	70	—	—	—	—	—	—	—	—	—	—	—	—	—	—	—	—
040	45°	67	7.5	4	80-95	60	9(n.4)	110	95	80	8.5	5	115-125	95	9.5(n.4)	140	112	97	7.5	4.5	80-95	60	9 (n.4)	110	95



Opzioni

Options

VS1 - VS2 - Vite sporgente / Extended input shaft



CMM	VS1						VS2					
	A	B	D ₁ j6	E	F	G	A	B	D ₁ j6	E	F	G
026/030	—	—	—	—	—	—	45	20	9	M4	3	10.2
026/040	—	—	—	—	—	—	53	23	11	M5	4	12.5
030/040	45	20	9	M4	3	10.2	53	23	11	M5	4	12.5

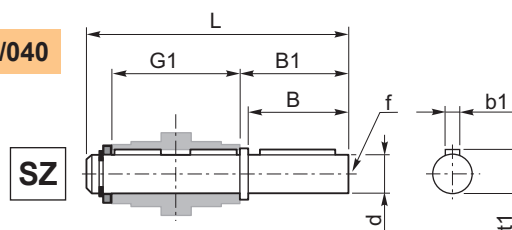
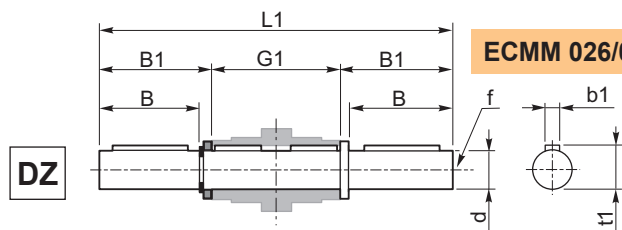
Costruito su richiesta
Built on request

Accessori

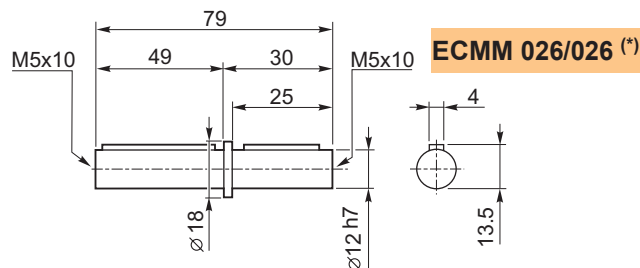
Accessories

Albero lento semplice e doppio

Single and double output shaft



ECMM	d h7	B	B1	G1	L	L1	f	b1	t1
026/030	14	30	32.5	63	102	128	M6	5	16
026/040 030/040	18	40	43	78	128	164	M6	6	20.5



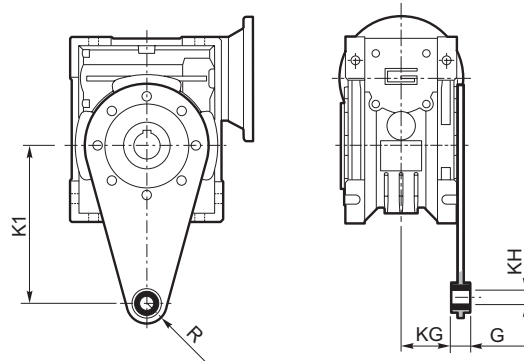
(*)
Nota: disponibile solo per cavo uscita Ø12
Note: available for output hollow shaft Ø12 only



Braccio di reazione

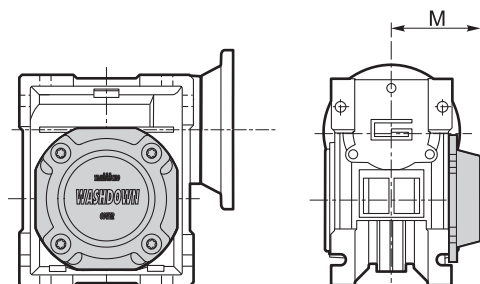
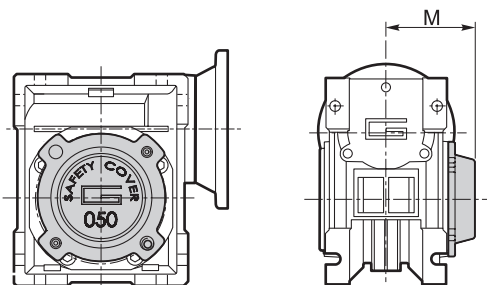
Torque arm

ECMM	K1	G	KG	KH	R
026/030	85	14	23	8	15
026/040 030/040	100	14	31	10	18



SC - Safety cover

WD - Kit washdown cover



	M
CM 030	47
CM 040	54.5

	M
CM 030	48
CM 040	55.5

 **TRANSTECNO SRL
HEADQUARTERS**

Company subject to the management
and coordination of INTERPUMP GROUP SPA
Via Caduti di Sabbiano, 11/D-E
40011 Anzola dell'Emilia (BO)
ITALY
T+39 051 64 25 811
F +39 051 73 49 43
sales@transtecno.com
www.transtecno.com

 **TRANSTECNO®**
the modular gearmotor

MEMBER OF INTERPUMP GROUP



 **HANGZHOU TRANSTECNO POWER
TRANSMISSIONS CO LTD**
No.4 Xiuyan Road Fengdu Industry Zone
Pingyao Town Yuhang District
Hangzhou City, Zhejiang Province
311115 - CHINA
T +86 571 86 92 02 60
F +86 571 86 92 18 10
info-china@transtecno.cn
www.transtecno.cn

 **MA TRANSTECNO S.A.P.I. DE C.V.**
Av. Mundial # 176, Parque Industrial
JM Apodaca, Nuevo León,
C.P. 66600 - MEXICO
T +52 8113340920
info@transtecno.com.mx
www.transtecno.com.mx

 **TRANSTECNO IBÉRICA
THE MODULAR GEARMOTOR, S.A.**
Carrer de la Ciència, 45
08840 Viladecans (Barcelona) - SPAIN
T +34 931 598 950
info@transtecno.es
www.transtecno.es

 **TRANSTECNO B.V.**
Siliciumweg 32
3812 SX Amersfoort - NETHERLANDS
T +31(0) 33 45 19 505
F +31(0) 33 45 19 506
info@transtecno.nl
www.transtecno.nl

 **TRANSTECNO AANDRIJFTECHNIEK B.V.**
Siliciumweg 32
3812 SX Amersfoort - NETHERLANDS
T +31 (0) 33 20 4 7 006
info@transtecnoaandrijftechnik.nl
www.transtecnoaandrijftechnik.nl

 **TRANSTECNO USA**
8 Creek Parkway,
Boothwyn PA 19061-8136 - UNITED STATES
T +1 (610) 4970154
F +1 (610) 497 6085

TRANSTECNO USA – WEST COAST BRANCH
14561 Fryelands Blvd SE
Monroe, WA 98272 - UNITED STATES
T +1 360-863-1300
F +1 360-863-1303
usaoffice@transtecno.com
www.transtecno.com

 **TRANSTECNO CANADA**
51 B Caldari Road Unit 10
Vaughan, ON L4K 4G3 - CANADA
T +1 905 761 0762
F +1 905 761 9265
canadaoffice@transtecno.com
www.transtecno.com

 **TRANSTECNO CHILE-PERU**
Av. Los Libertadores 41
Parque Industrial - Los Libertadores 16.500
Santiago, Colina - CHILE
T +56 2 29633870

Carretera Panamericana Sur KM 29.5,
Interior I-3, Z.I. Lurin - PERU
T +51 1 3546259 / + 51 1 3434231
chileoffice@transtecno.com
www.transtecno.com

 **TRANSTECNO INDIA**
#6A, Sipcot Industrial complex, Phase-1, Elasagiri Road
Hosur - 635126 Tamilnadu - INDIA
T +91 4344 274434
M +91 81443 88800

TRANSTECNO INDIA – NORTH BRANCH
Plot No: 3 A, Sector 2, IIE, Sidcul, Pantnagar
U.S. Nagar, Uttarakhand - 263153 - INDIA
indiaoffice@transtecno.com
www.transtecno.com

 **SALES OFFICE BRAZIL**
Rua Dr. Freire Alemão 155 / 402 - CEP. 90450-060
Auxiliadora Porto Alegre RS - BRAZIL
T +55 51 3251 5447
F +55 51 3251 5447
M +55 51 8111 45 962
braziloffice@transtecno.com
www.transtecno.com.br

 **SALES OFFICE OCEANIA**
Unit 5, 12 Nyholt Drive, Yatala 4207
Queensland - AUSTRALIA
T +61 07 3800 0103
M +61 04 38060997
oceaniaoffice@transtecno.com
www.transtecno.com.au

 **SALES OFFICE SOUTH KOREA**
772-41, Bongdong-ro, Bongdong-eup, Wanju-goon
Chonbuk, 55313
SOUTH KOREA
T +82 70 8867 8897
F +82 504 199 2107
M +82 10 5094 2107
koreaoffice@transtecno.com
www.transtecno.com

www.minitecno.com
www.transtecno.com